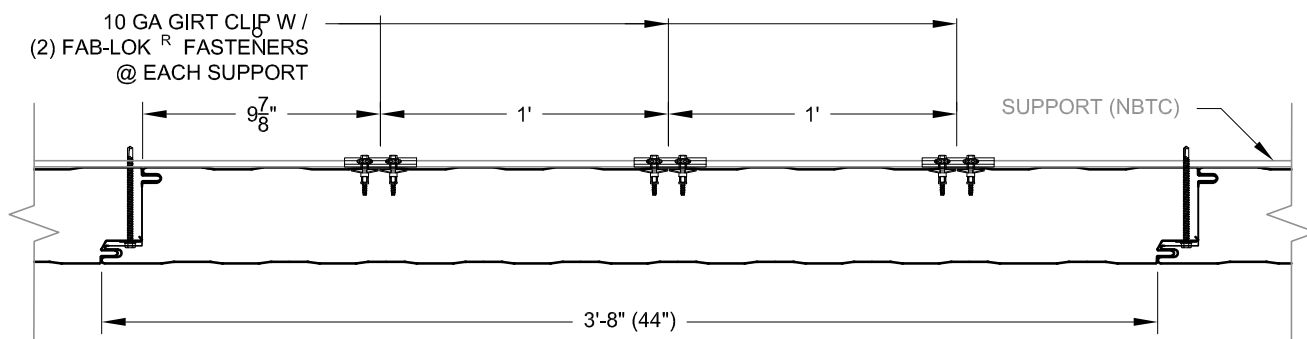
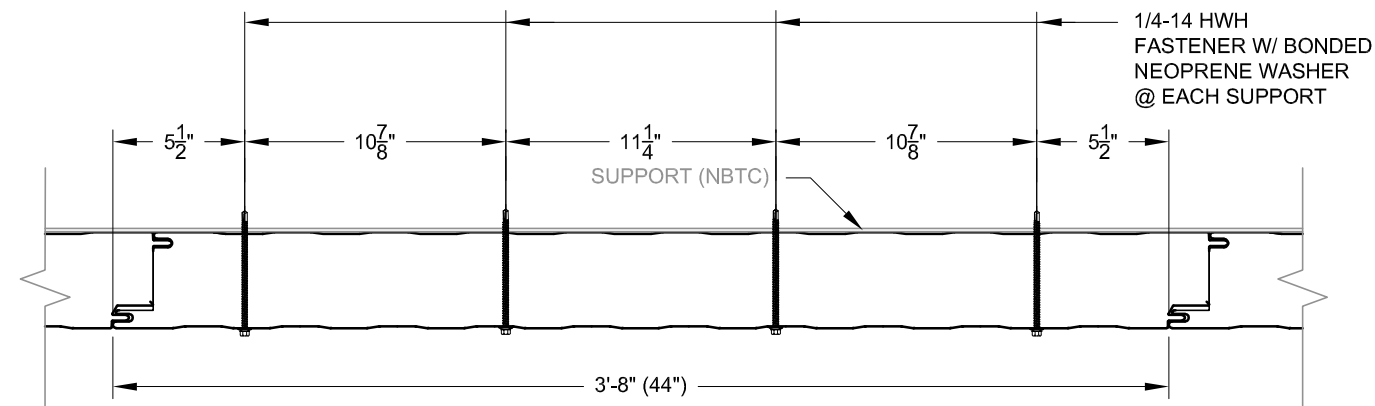


**TRUECORE 44" PANEL  
ATTACHMENT METHOD 7  
(SIDE JOINT FASTENING W / (2) GIRT CLIPS)**



**TRUECORE 44" PANEL  
ATTACHMENT METHOD 8  
(SIDE JOINT FASTENING W / (3) GIRT CLIPS)**



**TRUECORE 44" PANEL  
ATTACHMENT METHOD 9  
(EXPOSED FASTENING)**



**ATTACHMENT METHODS 7, 8, & 9**

DRAWN BY:  
DBN

DATE:  
9-23-2019

DRAWING NO.:  
FST3