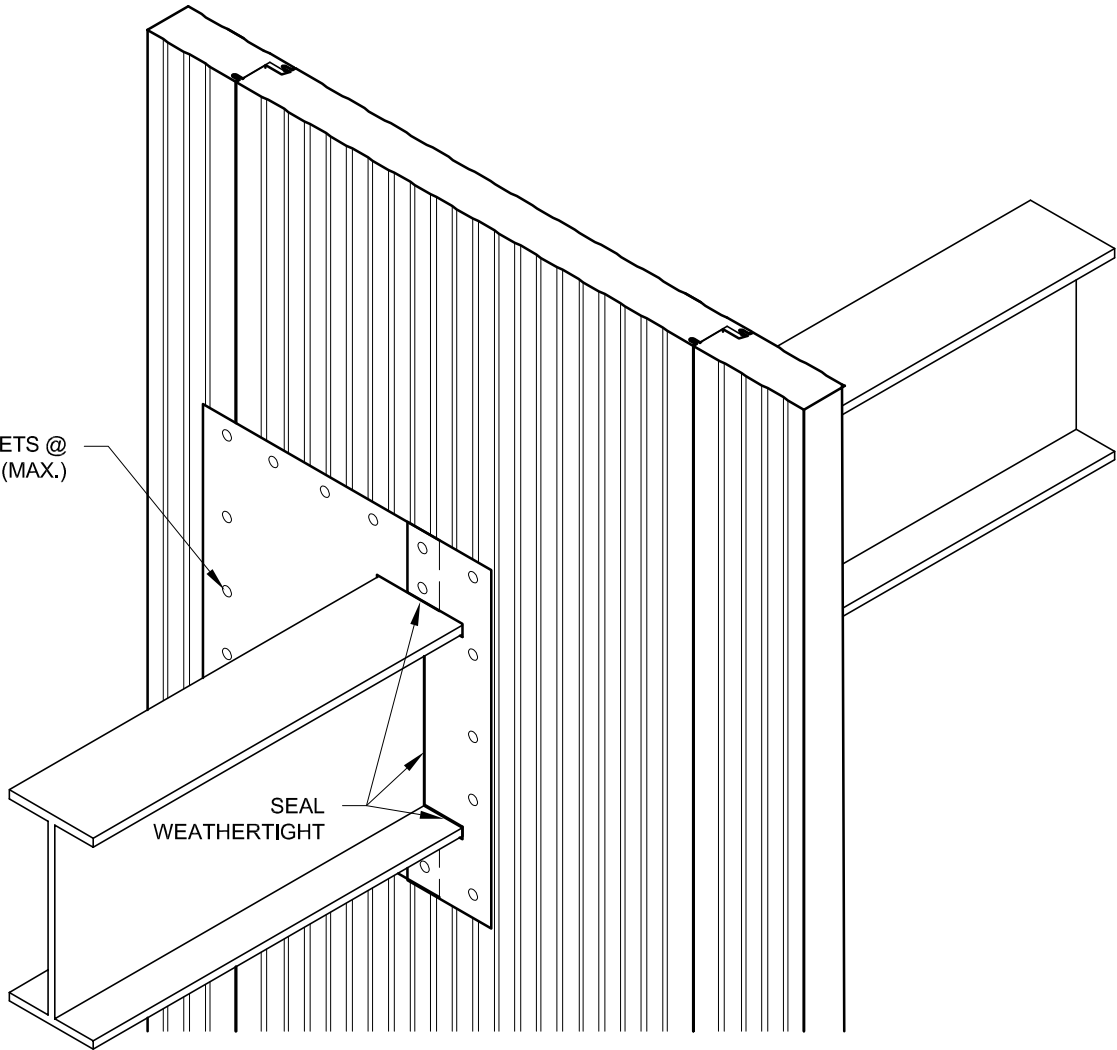


1/8" RIVETS @
3" O/C (MAX.)



SEAL
WEATHERTIGHT

PENETRATIONS THROUGH INSULATED PANELS - FINAL ASSEMBLY



PANEL PENETRATIONS

DRAWN BY:
DBN

DATE:
9-19-2019

DRAWING NO.:
PENTR 4