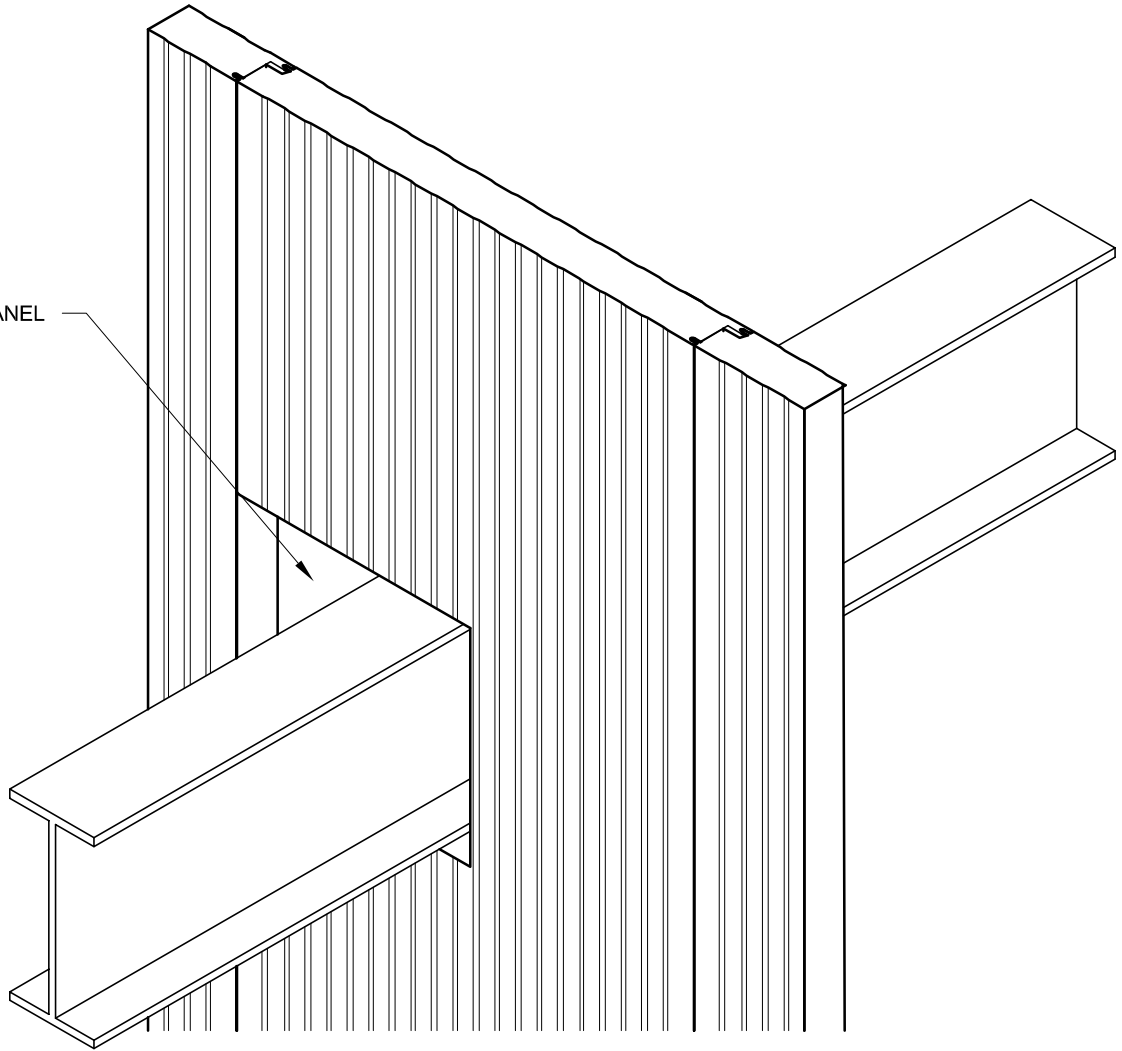


FIELD NOTCH PANEL



PENETRATIONS THROUGH INSULATED PANELS

STEP 1:

NOTCH PANEL FROM THE CLOSEST OF EITHER THE PANEL EDGE OR PANEL END. NOTCH PANEL AS CLOSE TO PENETRATING MEMBER AS TO ALLOW FOR PANEL INSTALLATION

IF THE PENETRATION NOTCH BRIGES ACROSS A PANEL JOINT, THE END OF THE JOINT ABOVE THE NOTCH SHALL BE PLUGGED WITH URETHANE SEALANT. THE SIDE JOINT ABOVE THE NOTCH SHALL BE SEALED WITH A COLOR-MATCHED URETHANE SEALANT (NOT BY TRUECORE) TO THE TOP OF THE PANEL.



PANEL PENETRATIONS

DRAWN BY:
DBN

DATE:
9-19-2019

DRAWING NO.:
PENTR 1